



Dishwashing

EVO Generation - Advance

DISHWASHER AD-125 HRS

<u>DIMENSIONS</u>		<u>Article</u>	<u>Packed</u>
Length	mm	665,00	870,00
Depth	mm	775,00	950,00
Height	mm	2.258,00	2.150,00
Weigth	Kg	150,00	170,00
Volumen	m3		1,78

ELECTRICITY

<u>Electric power</u>	KW	
230V -1+N		2x16+T - 63 A
230V - III		3x6+T - 40 A
400V - III+N		4x2,5+T - 25 A

WATER

Water consumption (lit/h)	144,00
Pressure (Kg/cm2)	2 ÷ 4

GAS

Not used

STEAM

Not used

AIR

Not used

LEVEL SOUND

(dB) **63,00**

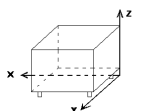
DISHWASHER AD-125 HRS

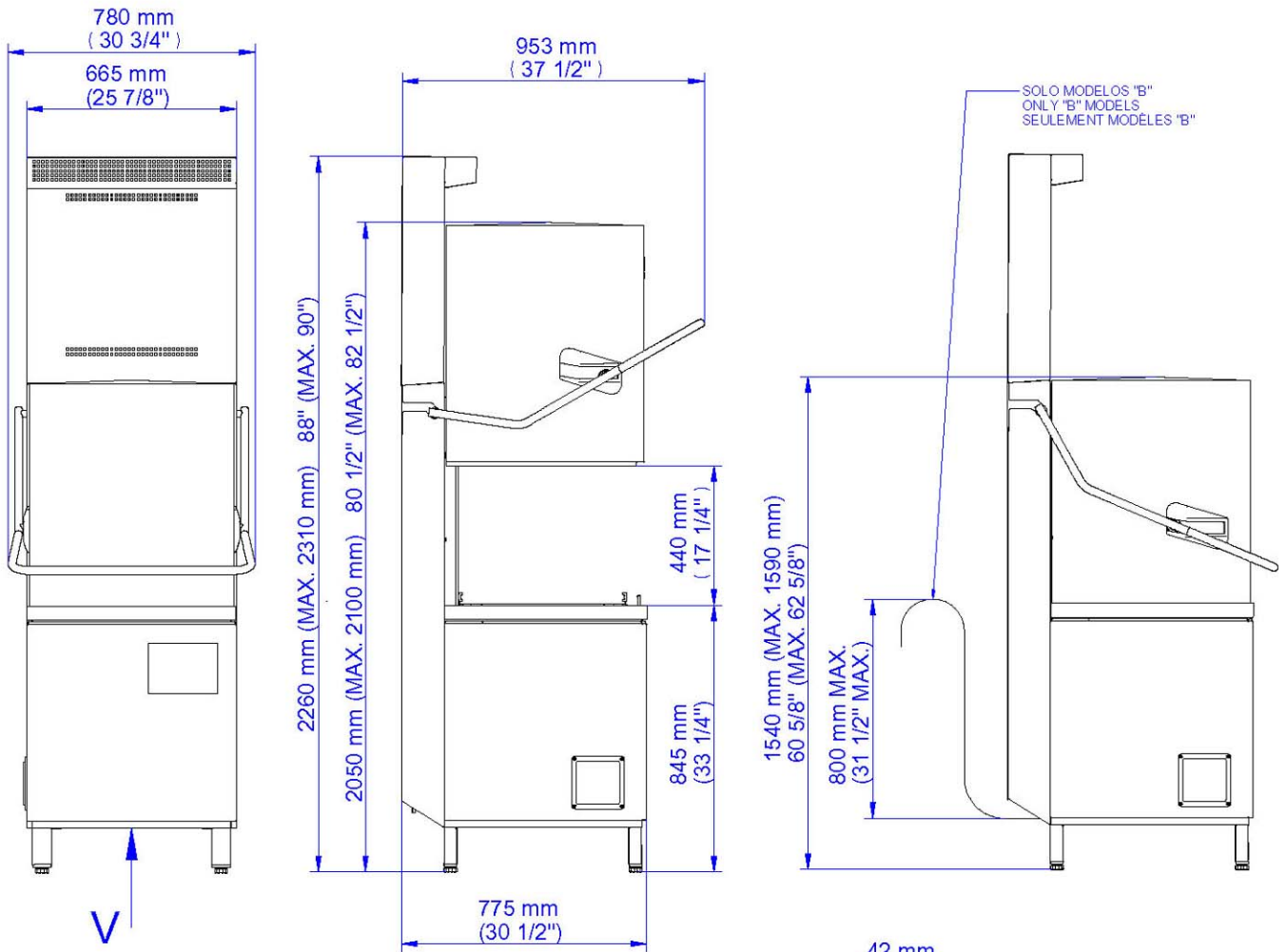
Hood type dishwasher - EVO Generation - Advance range.
 Hourly production: 65 baskets/hour - 1170 dishes/hour.
 Clearance (max ware height): 440 mm.
 Wash cycles: 55"- 75" - 120".
 GLASS cycle: special program for washing glassware, based on the specifications of hygiene and safety standard DIN 10511. Cycle of 90 seconds, with temperatures: 60 °C (wash) and 65 °C (rinse).
 Self cleaning program: it washes the chamber, draining the tank and boiler.
 HRS: version with energy recuperator. HRS collects and condenses the steam exhausted by the machine after a full cleaning cycle, and heats up the input water. Power: 30 W.

Made of stainless steel. Includes double skin insulated hood, external, front and side panels.
 Full double skin body and hood to isolate machine's noise from the environment.
 Counterbalanced hood.
 Double rotating wash and rinse systems made of stainless steel, above and below.
 Tray filters on the tank, made of AISI-304 stainless steel.
 Two wash pumps, 600 W each.
 Rinsing pump: 260 W. Air break system.
 Drain pump: 70 W. Drainage cycle.
 Tank with 1.8 kW heating element.
 Tank capacity: 28 litres.
 Boiler with multipower heating elements: 3 / 4,5 / 6 / 9 kW.
 Boiler capacity: 9 litres.
 Water consumption: 2.4 litres/rinse.
 Thermostatic temperature control: washing at 60°C and rinsing at 90°C.
 Thermo stop system that guarantees minimum rinsing temperature of 85°C.
 Safety thermostats.
 Built-in automatic rinse dispenser and detergent doser.
 Safety magnetic switch for hood opening.
 Adjustable legs.
 Water protection rating: IPX5
 Total power: adjustable: 4,2 ÷ 12,0 kW.
 Dimensions: 665 x 775 x 2258 mm.

Baskets equipment: 1 x CT-10, 1 x CP-16/18 and 8 cutlery containers.

Connections points	X	Y	Z	Diameter	Information
ELECTRICITY	210	50	65		
SOFT COLD WATER	305	50	65	3/4"	
DRAIN	370	50	65	30 x 25	





A: ENTRADA DE AGUA
E: ALIMENTACIÓN ELÉCTRICA
D: DESAGÜE

A: WATER INLET
E: ELECTRICAL CONNECTION
D: DRAIN

A: ARRIVÉE D'EAU
E: CONNEXION ÉLECTRIQUE
D: VIDANGE

