



## Dishwashing

EVO Generation - Concept

### GLASSWASHER CO-350 COLD DD

#### DIMENSIONS

		Article	Packed
Length	mm	430,00	510,00
Depth	mm	475,00	635,00
Height	mm	650,00	820,00
Weigth	Kg	34,00	37,00
Volumen	m3		0,27

#### ELECTRICITY

Electric power	KW	
230V - I+N		2x2,5+T - 25 A
230V - III		3x1,5+T - 16 A
400V - III+N		4x1,5+T - 10 A

#### WATER

Water consumption (lit/h)	60,00
Pressure (Kg/cm2)	2 ÷ 4

#### GAS

Not used

#### STEAM

Not used

#### AIR

Not used

#### LEVEL SOUND

(dB) 65,00

#### GLASSWASHER CO-350 COLD DD

Front loading glasswasher - EVO Generation - Concept range.  
Basket size: 350 x 350 mm.  
Hourly production: 30 baskets/hour.  
Clearance (max ware height): 220 mm.  
Valid for dishes Ø 190 mm.  
Wash cycle: 120".  
Push button for an optional cold rinse at the end of the cycle

Made of stainless steel.  
The door has double skin.

Double rotating wash and rinse systems, above and below, made of stainless steel.

Wash pump: 260 W.  
Tank with 2.0 kW heating element.  
Tank capacity: 11 litres.

Boiler with 2.4 kW heating element.  
Boiler capacity: 4 litres.

Water consumption: 2 litres/rinse.  
Thermostatic temperature control: washing at 60 °C and rinsing at 90 °C.  
Security thermostats.

Built-in automatic rinse dispenser and detergent doser.

Built-in non-return valve.

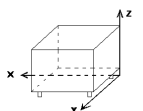
Safety magnetic switch for door opening.

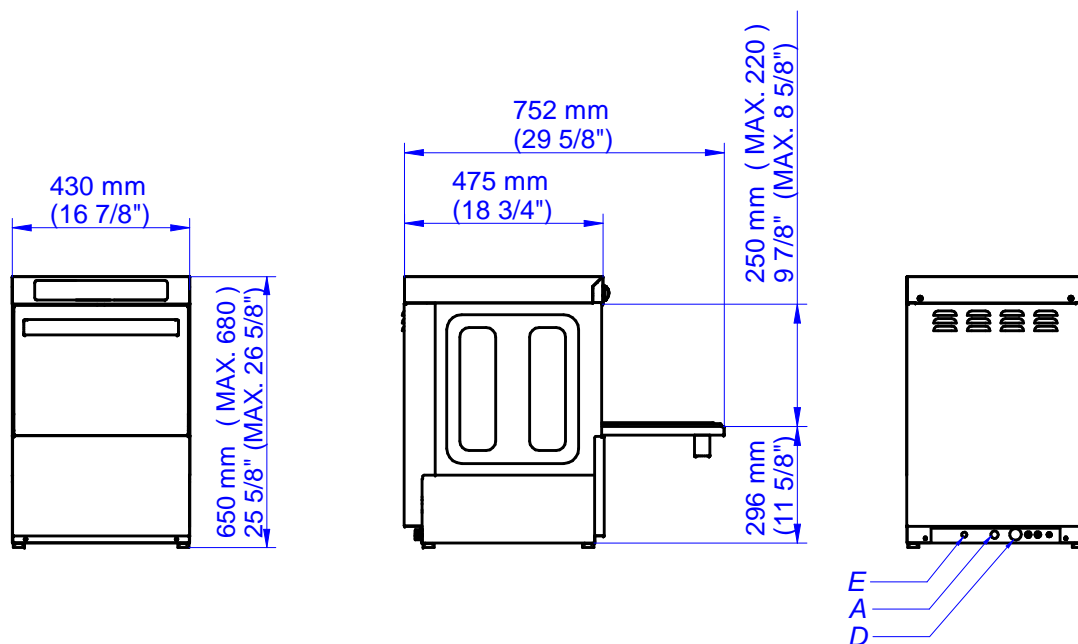
Adjustable legs.

Total power: 2.66 kW.  
Dimensions: 430 x 475 x 650 mm.

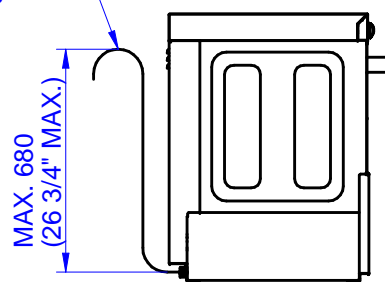
Equipment: one basket 350x350, one supplement for saucers and one cutlery container.

Connections points	X	Y	Z	Diameter	Information
ELECTRICITY	210	50	65		
SOFT COLD WATER	305	50	65	3/4"	
DRAIN	370	50	65	30 x 25	





SOLO MODELOS "B"  
ONLY "B" MODELS  
SEULEMENT MODÈLES "B"



A: ENTRADA DE AGUA  
E: ALIMENTACIÓN ELÉCTRICA  
D: DESAGÜE

A: WATER INLET  
E: ELECTRICAL CONNECTION  
D: DRAIN

A: ARRIVÉE D'EAU  
E: CONNEXION ÉLECTRIQUE  
D: VIDANGE